

# Coil Nailers

## SCN40R H: 10<sup>3</sup>/<sub>8</sub>" L: 9<sup>3</sup>/<sub>4</sub>" W: 5.2 lbs

Roofing coil nailer designed with a "jaws" configuration to drive nails consistently straight and prevent tumbling of shorter nails.

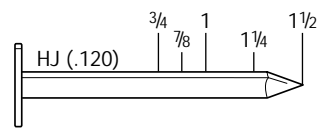


### Benefits

- Lightweight — 5.2 lbs for easy one-handed operation, improving productivity
- Adjustable depth-of-drive control on the tool means no compressor adjustments or additional tools for adjustments are required
- Neverlube™ Design — requires no lubrication

### Applications

Asphalt and Fiberglass Shingles, Waterproof Tar Paper, Metal Drip Edges, Insulative Sheathing, Upholstery Panels, Siding, Cement Board, Roofing, Roofing Felt



11 Gauge. Full Round-Head Roofing Nails.  $\frac{3}{4}$ " - 1 $\frac{1}{2}$ " 1d - 4d. Smooth. Capacity 120.

## SCN40DW H: 10<sup>3</sup>/<sub>8</sub>" L: 9<sup>3</sup>/<sub>4</sub>" W: 4.7 lbs

New drywall nailer speeds drywall installation.



### Benefits

- Lightweight — 4.7 lbs for easy one-handed operation, improving productivity
- Adjustable depth-of-drive control on the tool means no compressor adjustments or additional tools for adjustments are required
- Neverlube™ Design — requires no lubrication

### Applications

Drywall Installation



12 $\frac{1}{2}$  Gauge. Full Round Bugle-Head Nails. 1 $\frac{1}{2}$ "-1 $\frac{5}{8}$ " 4d-5d Ring. Capacity 120.

## SCN45 H: 10<sup>3</sup>/<sub>8</sub>" L: 11" W: 4.4 lbs

Tough, reliable tool for box and crate assembly.

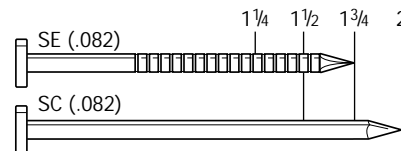


### Benefits

- High nail capacity maximizes productivity
- Lightweight at 4.4 lbs for easy handling and excellent maneuverability

### Applications

Pallets, Boxes and Crates, Displays, Sheathing, Fencing, Decking, Subflooring



13 $\frac{3}{4}$  Gauge. Flat Round-Head Nails. 1 $\frac{1}{4}$ " - 2" 3d - 6d. Smooth and Ring. Capacity 400.

## SCN55S H: 12<sup>1</sup>/<sub>8</sub>" L: 10<sup>1</sup>/<sub>2</sub>" W: 5.8 lbs

Lightweight, high-loading choice of wood siding installers.

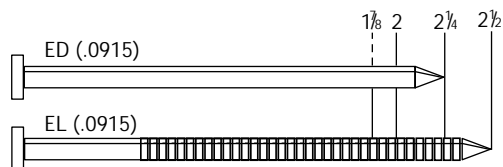


### Benefits

- At 5.8 lbs, its excellent balance makes for easy one-handed operation
- Adjustable depth-of-drive allows for precise countersinking at a lower air pressure
- Dual collation allows the choice of wire or plastic

### Applications

Siding, Sheathing, Decking, Subflooring, Exterior Trim, Fencing, Wood Shingles



13 and 13 $\frac{3}{4}$  Gauge. Full Round-Head Nails. 1 $\frac{7}{8}$ " - 2 $\frac{1}{2}$ " 5d - 8d. Capacity 350.

## SCN60 H: 12<sup>3</sup>/<sub>8</sub>" L: 12<sup>7</sup>/<sub>8</sub>" W: 7.5 lbs

Lightweight, well-balanced nailer combines maneuverability with fast cycling time for an efficient, easy-to-handle tool.

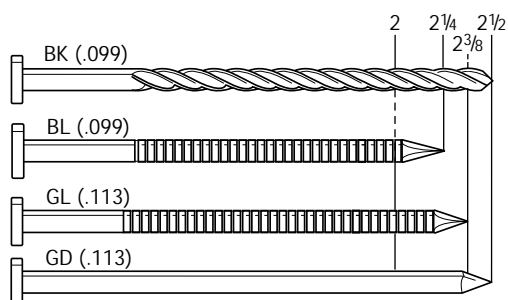


### Benefits

- Highest power-to-weight ratio in its class
- Light enough for one-handed operation for quality workmanship and greater productivity
- Adjustable depth-of-drive allows for precise countersinking at a lower air pressure

### Applications

Pallets/Pallet Repair, Crate and Box Assembly, Sheathing, Decking, Subflooring, Exterior Decks



11, 11<sup>1</sup>/<sub>2</sub> and 12<sup>1</sup>/<sub>2</sub> Gauge. Round-Head Nails. 2 - 2<sup>3</sup>/<sub>4</sub>" 6d - 9d Nail Range. Capacity 250 - 275.

## SCN65 H: 14<sup>1</sup>/<sub>8</sub>" L: 12<sup>7</sup>/<sub>8</sub>" W: 8.0 lbs

Rugged, powerful nailer built for increased framing and sheathing productivity with one-handed operation, EZ-Load and fast cycle

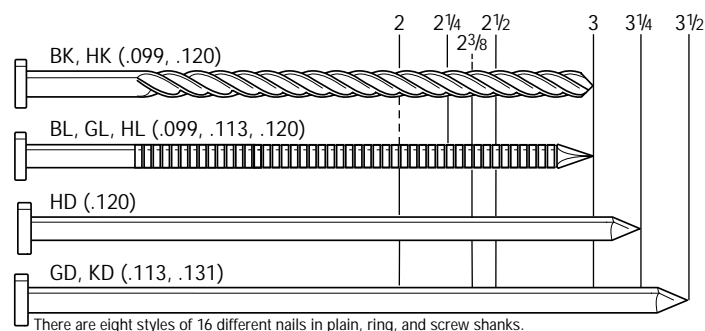


### Benefits

- Highest power-to-weight ratio in its class
- Lightweight and ergonomically designed for superb balance and operator comfort
- Adjustable depth-of-drive allows for precise countersinking at a lower air pressure

### Applications

High Production Framing, Sheathing, Decking, Subflooring, Exterior Decks, Pallets/Pallet Repair



There are eight styles of 16 different nails in plain, ring, and screw shanks.

Drives the nails listed above for SCN60 in addition to these nails:  
11, 11<sup>1</sup>/<sub>2</sub> and 12<sup>1</sup>/<sub>2</sub> Gauge. Round-Head Nails. 2 - 3<sup>1</sup>/<sub>2</sub>" 6d - 16d Nail Range. Capacity 250 - 275.